

Model:LVS-DC1



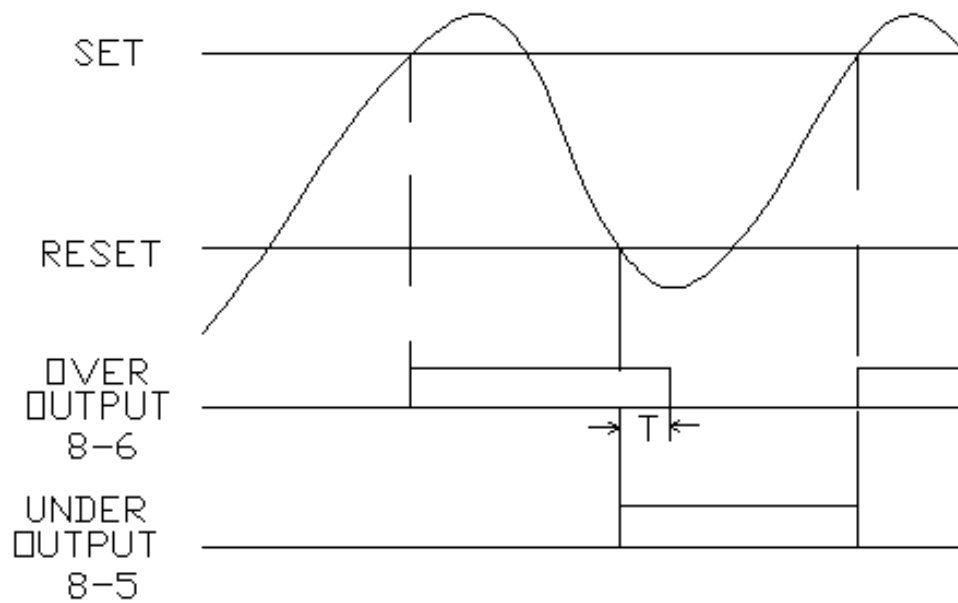
Detail Specifications

- Voltage relays (single phase)
- Inspection range: 40-60VDC.

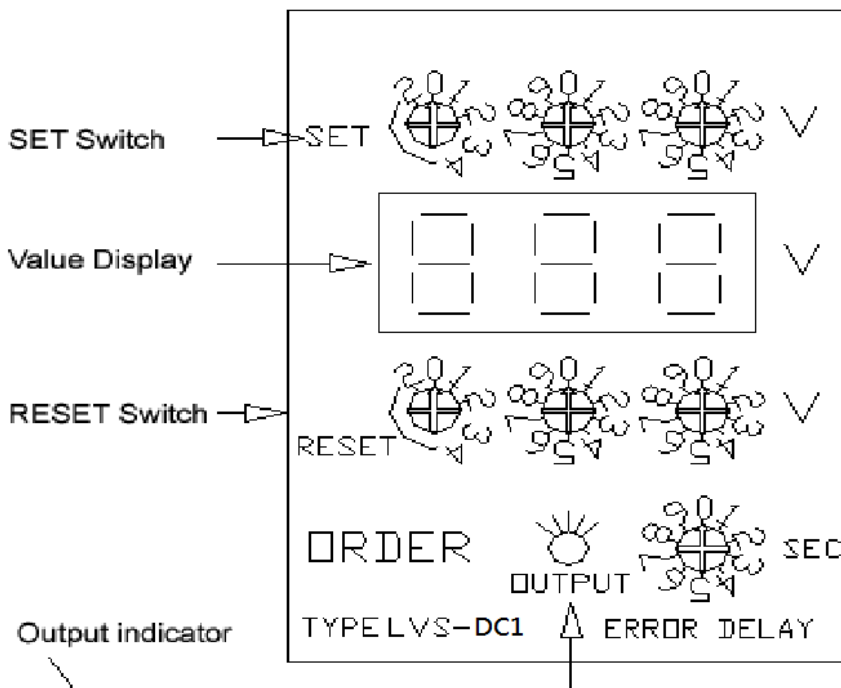
• Features:

- Plugged model, easy to install.
- With "Error Delay" function, avoiding abnormal movement when voltage is too high/low.
- With "OVER" & "UNDER" function.
- Voltage input range inspection: 40-60VDC
- Power source: 40-60 VDC
- "Relay off": When abnormal voltage occurs, monitor flicks for warning.
- Digitized microcomputer, high-precision, can be used as a voltage gauge.
- Time setting for input delay: 1sec.
- CE certified

• **Movement:**

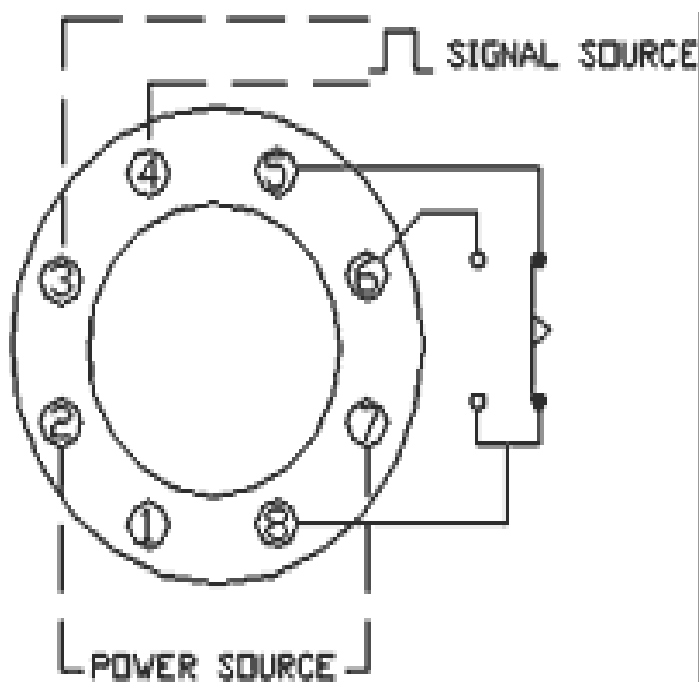


• **Panel view:**



• **SOCKET VIEW:**

- When voltage indicator shows AC380V, power and signal will be separated.
- sockets 2 & 7 connect power source; and sockets 3 & 4 connect signal source.



LVS-DC1		
CONTACT	8-5	8-6
NORMAL	OPEN	CLOSE
ERROR	CLOSE	OPEN

• **Dimensions & Base:**

