

Model:LVS-3EH



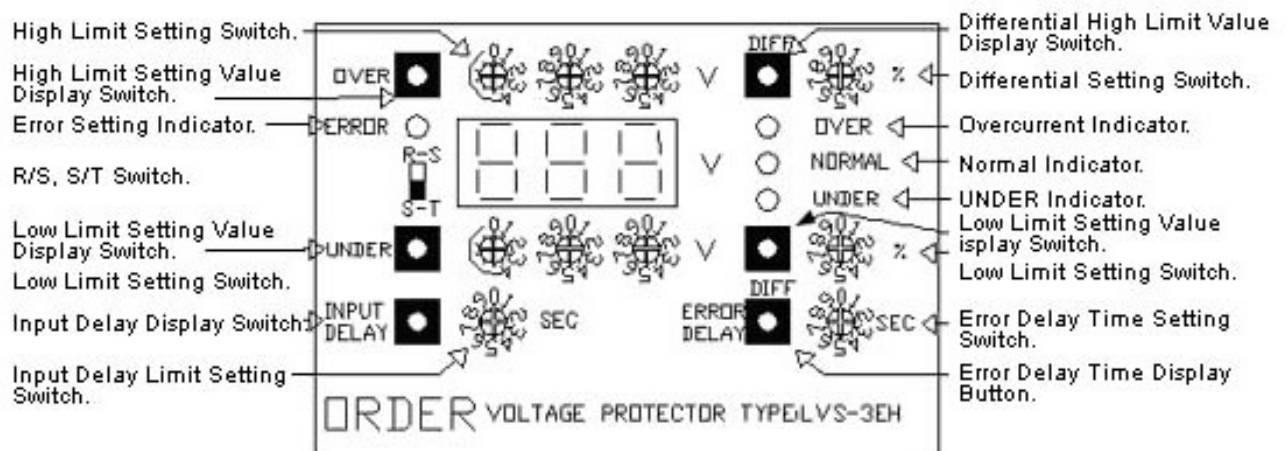
Detail Specifications

- Triple phase high/low voltage relay, with a digitized microcomputer.
- High precision and can be used as a voltage gauge.

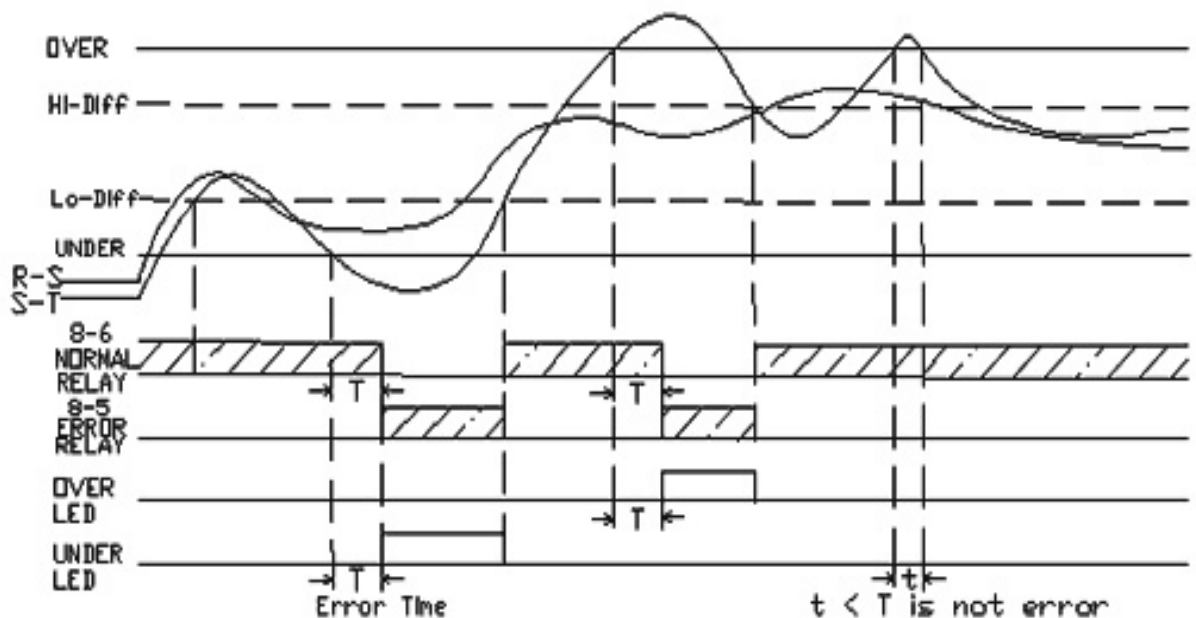
Features :

- A digitized microcomputer. High precision and can be used as a voltage gauge.
- With "Input Delay" function, users can delay the voltage inspection until after start-up, ensuring high-precision of the relay.
- With "Error delay" function, avoiding abnormal movement when voltage is too high/low.
- With high/low Differential reset function. Range: 1%~15%, which can calculate and display as relative voltage automatically.
- Working voltage: 85V~264V ; Voltage inspection range: 1V-499V
- OVER/UNDER setting function.
- Working voltage input range: 85~260ACV
- Error setting alarm.
- Re-correct function for reading reset value.
- When abnormal voltage occurs, monitor will flicks and the relative malfunction indicator will light up.
- RS/ST voltage display is changeable.
- Plugged model, easy to install.
- CE certified.

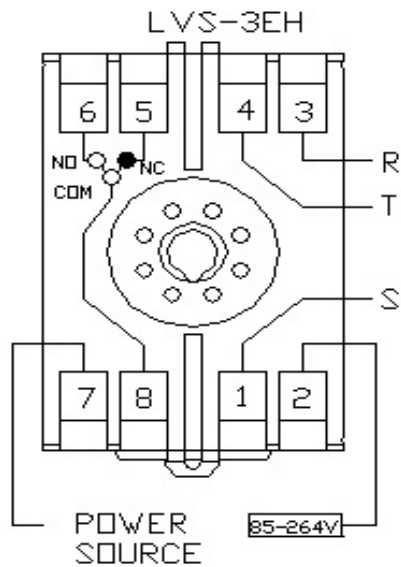
Panel view:



Movement:



Socket View :



LVS-3EH			
CONTACT	8-5	8-6	SOCKET
NORMAL	OPEN	CLOSE	8PFA
ERROR	CLOSE	OPEN	

Dimensions & Base:

